

MODEL **CA-F72GF** Heavy duty, high-gain base station antenna for 440 - 480MHz

## Instruction Manual

Thank you for purchasing our products.

### For your safety :

Read this manual carefully for proper handling and operation before using.  
Keep this manual in a safe place for future reference.

### 【Features】

- High-gain : 5.5dBi base station antenna.
- 1-piece heavy-duty fiberglass , durable against weather and pollution.
- Frequency can be easily adjusted following the element cutting chart.

### 【Specifications】

Frequency : 440-480MHz [Tunable element]  
Gain : 5.5dBi [Two  $5\lambda/8$  waves in phase]  
VSWR : 1.5 or less (8MHz bandwidth after tuning)  
Impedance : 50 ohms  
Connector : N-Female  
Max.Power : 150W(FM)  
Weight : approx. 1kg  
Length : approx. 1.12m

### 【Parts List】

1. Element w/ feeding section	- 1
2. Radial w/ Hex. nut	- 3
3. Power feeding section	- 1
4. Mount bracket	- 2
5. Mount support pipe	- 1
6. Lock bolt w/ sp.washer M6x10	- 1
7. Hex.bolt w/ sp.washer M6x30	- 2
8. U-Bolt w/sp.washer & Hex.nut	- 2

### 【How To Assemble】

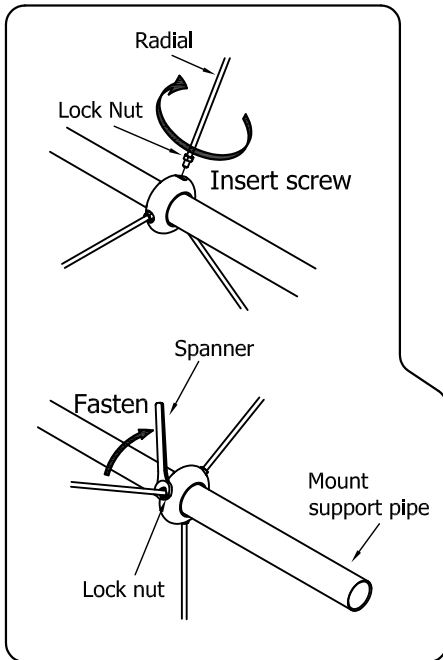
1. Assemble three radials. Fasten radial-lock Nuts securely with spanner etc....

2. Put two mount brackets on the mount support pipe. Pass the coax cable through the pipe, and attach it to power feeding section. Be sure to fasten hex bolts firmly. Then, attach support pipe onto the antenna.

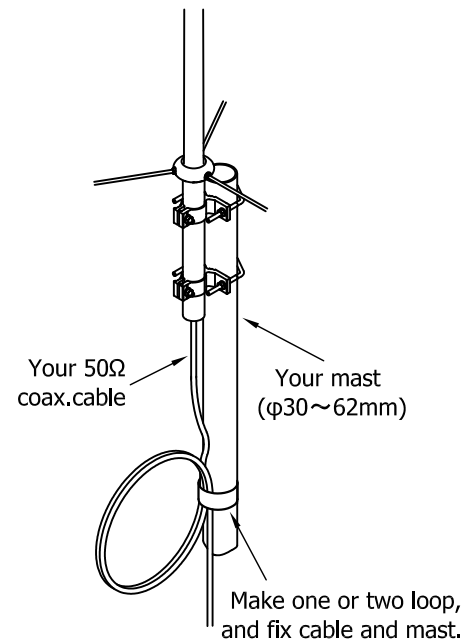
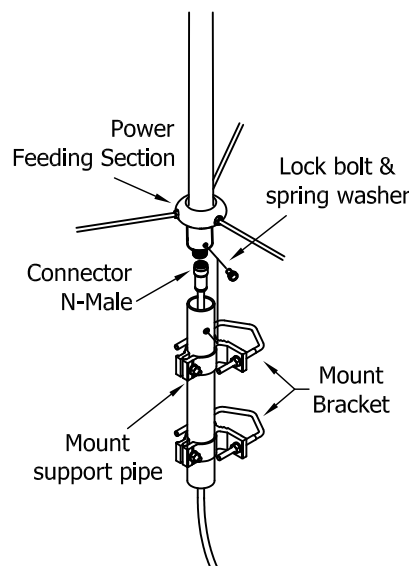
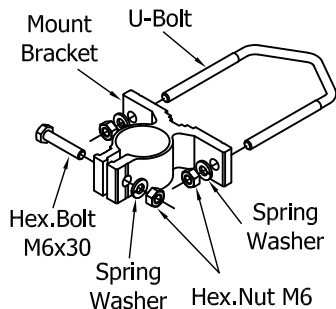
3. Mount all assembled antennas on your mast.

This antenna is so long. Keep your eyes on balance of this antenna and use as strong mast as you can, between 30 to 62mm dia.

\*Make sure to use low loss coax cable.



### ◆ Mount Bracket & U-Bolt



Note : For long-term use, water-proofing with glue, self-fusing tape, and/or vinyl tape is highly recommended.

### ⚠ Precautions for using

- This antenna is only for ham radio. Do not use this for other purposes.
- Operation outside the specification might damage the antenna.
- Adjust the antenna correctly. Elevated SWR could damage the antenna.
- Never attempt to modify or fix the antenna by yourself.
- Do not touch the antenna while transmitting.

◆ Specifications or appearance is subject to change without notice.

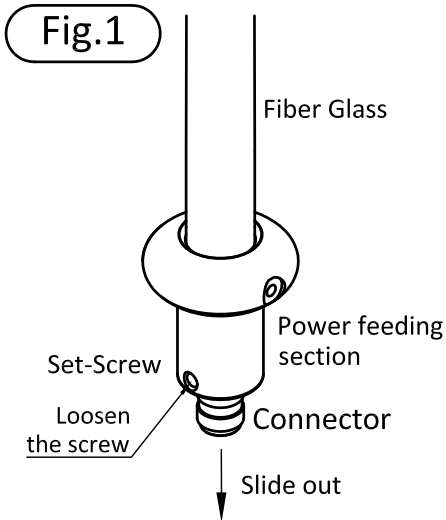
COMET CO.,LTD.

4-18-2, Tsuji, Minami-ku, Saitama-shi, Saitama-Pref, 336-0026, JAPAN  
TEL : 81-48-839-3131 / FAX : 81-48-839-3136  
URL : <http://www.comet-ant.co.jp/english>

# MODEL CA-F72GF

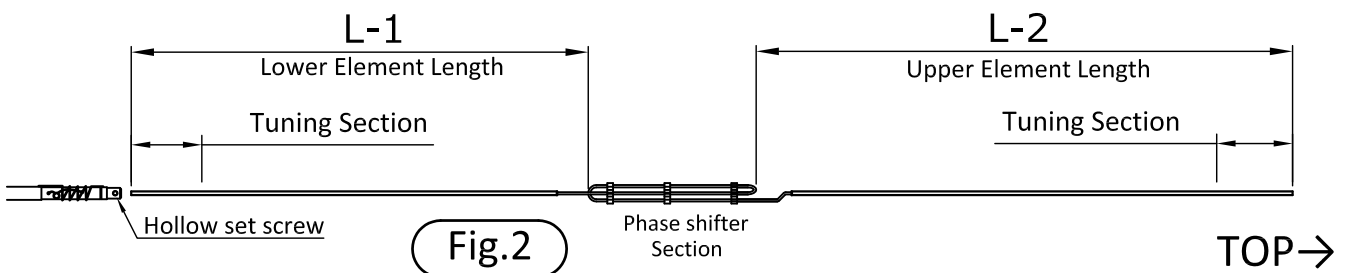
COMET ANTENNA

[How to adjust frequency 440-480MHz]

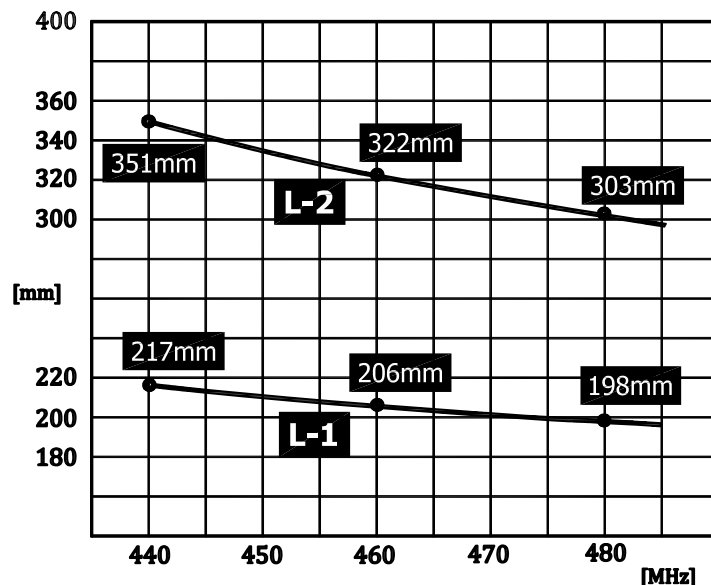


### How to adjust frequency

1. Loosen the set-screw at the low end of power-feeding section. (Fig.1)
2. Then, slide out the entire inside wiring assembly as shown in Fig.2
3. Please adjust the length of L-1 and L-2 according to the element cutting chart.
4. When both elements have been trimmed, reinsert the element into the fiberglass and tighten the set-screw.
5. Before insertion, silicone at the connector section is recommended for complete water-proof.



Element Adjustment chart



### Note

- Because high UHF frequency, please use high quality coax.cable and connectors.
- Kindly provide sufficient water-proof works, on connector joint section, for long priod use.

■ Specifications or appearance is subject to change without notice.