

MODEL **CFX-324J** *Triplexer for HF, VHF, UHF*

Instruction Manual

Thank you for your purchasing our product.

Model CFX-324J is the Triplexer for transmitting/receiving all 3 bands of HF-150MHz, 220MHz band and 440MHz band at the same time. Using one, or two CFX-324J, you can connect transceivers and antennas by one coaxial cable.

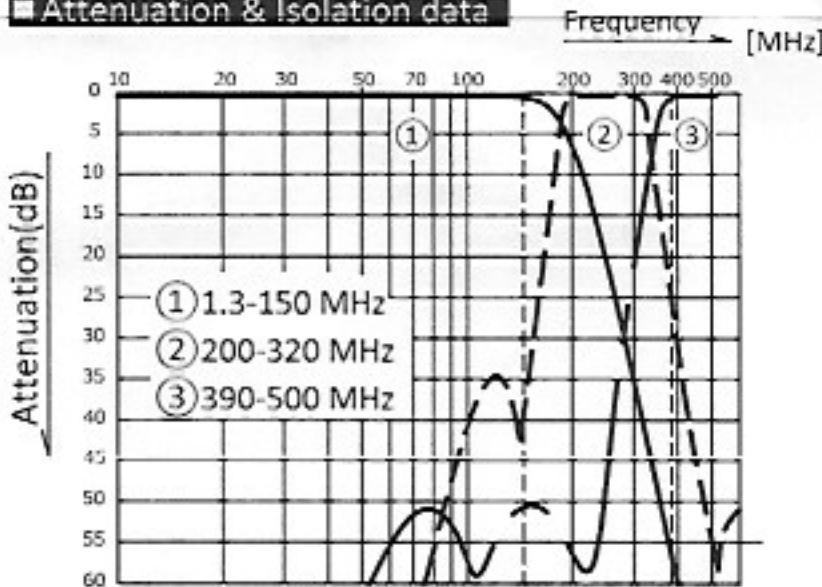
The combined high quality filters of CFX-324J work to prevent occurrence of TVI on the other hand. (Isolation of each connectors are over 40dB.)

When using CFX-324J for one frequency, the other connectors can be remain as [open], but additional dummy load will be much better.

◆ Specifications

- Band pass Frequency & insertion loss
 - 1.3 ~ 150MHz / 0.2dB or less
 - 200 ~ 320MHz / 0.25dB or less
 - 390 ~ 500MHz / 0.3dB or less
- Impedance : 50Ω
- VSWR : 1.2 or less
- Max. Input power : 600W(PEP) [all band]
- Isolation : more than 40dB
- Connector : see below chart
- Chassis Dimension : 66(W)×90(D)×26(H) [mm]

■ Attenuation & Isolation data



⚠ Note:

- ◆ CFX-324J is for mobile and indoor use.
- For outdoor use, sufficient water-proof works is required.

【After-Sales Service】

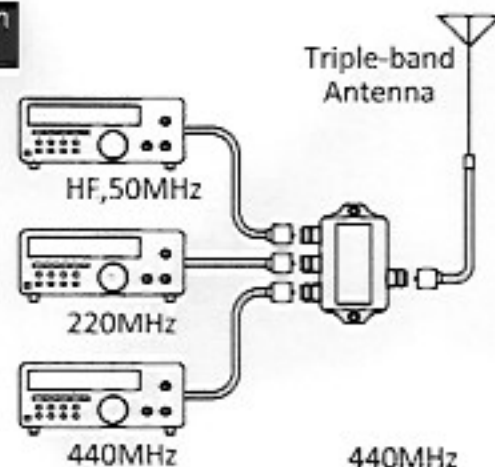
We provide the replacement parts for the damages by unintentional accidents or for deterioration with long-term use. Please ask the local shop you purchased this product. This product is made under the stringent quality control. Should there be any breakage in transit, please do not hesitate to contact the shop you purchased this product.

◆ Appearance and specifications are subject to change without notice.

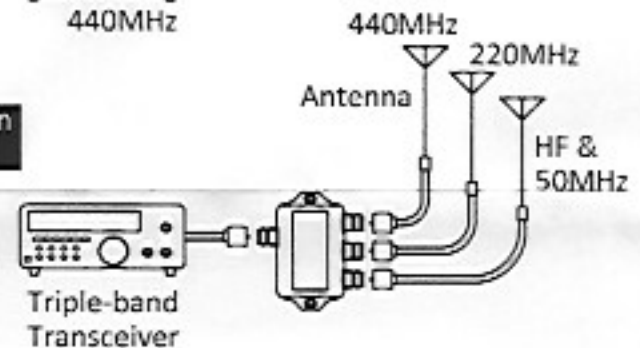
COMET CO.,LTD.

4-18-2, Tsuji, Minami-ku, Saitama-shi, Saitama-Pref, 336-0026, JAPAN
 TEL : 81-48-839-3131 / FAX : 81-48-839-3136
 URL : <https://www.comet-ant.co.jp> (Japanese site)

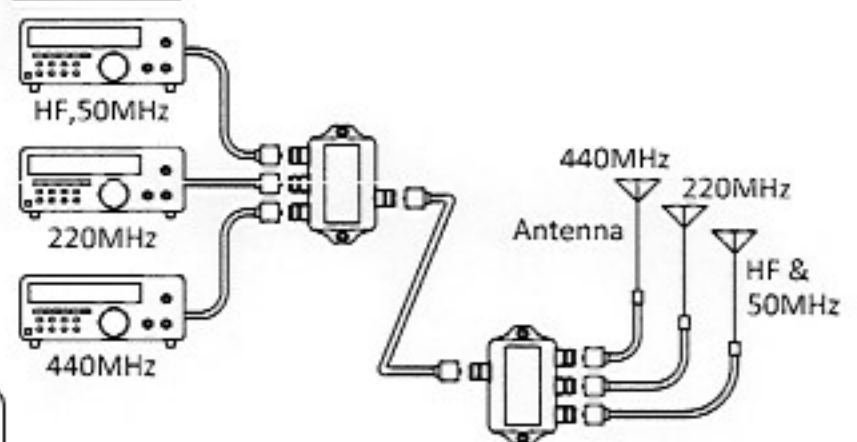
Connection sample1



Connection sample2



Connection sample3



Connector Type

	CFX-324J
COM	SO-239
HF-150MHz	SO-239
220MHz	SO-239
440MHz	SO-239

