



This antenna mounting bracket is designed for installation on these specific vehicles:

Ford F-150:	2015-2020
Superduty F-250, F-350/F-450	2017-2026
Expedition	2018-2024

Model#: FO3ANTNCG

Tools Required:

10mm socket and driver, or 10mm box end wrench

Install location:

Left front fender



Step 1) Set the parking brake. Open hood and locate 10mm bolt near the center of the front fender. Remove bolt.

Step 2) Align the antenna bracket with the bolt hole, reinstall the bolt and tighten.

NOTE: To avoid galvanic corrosion between the aluminum body and stainless steel bracket, isolation tape has been attached to the bottom bracket surface, do not remove. If needed for grounding, the stainless steel star washer should be placed ONLY between the bolt head and bracket and should not penetrate the painted surface.

Step 3) Insert the NMO or required connector to mate with the antenna and tighten securely.

NOTE: NMO type mounts are designed to be installed from the top of the bracket, coax first.

Due to the 14 gauge thickness of the bracket, some NMO mounts have a hard time shifting into the 3/4" hole. The Larsen NMO-K mount does not have that problem.



NCG Company may not be held liable for any damage to the vehicle before, during or after the installation or removal of this antenna bracket.
NCG may not be held liable for any personal injury resulting from accident or improper installation.



National Communications Group Co., Ltd
Chino, CA 800-962-2611
909-393-6133 Fax: 909-393-6136
www.natcommgroup.com

Q-222



SVE BULLETIN

SPECIAL VEHICLE ENGINEERING – BODY BUILDERS ADVISORY SERVICE

E-Mail via Website: www.fleet.ford.com/truckbbas (click "Contact Us")

Toll-free: (877) 840-4338

QVM Bulletin: Q-222

Date: 22 July, 2014

Attaching Accessories to Aluminum Panels and Structure

Models Affected: 2015 MY and later F-150

Background:

The high-strength aluminum alloy in the all-new F-150 does not produce red rust like steel. We have gone to great lengths to develop coatings to inhibit corrosion. However, customers should take note that when installing aftermarket equipment, aluminum can still corrode if the aluminum is attached to dissimilar metals. This type of corrosion is called "galvanic corrosion" and it occurs where there is contact between different metals, like steel or stainless steel fasteners.

Protecting against galvanic corrosion

When installing aftermarket equipment, it is necessary that the installer pay special attention when drilling or clamping dissimilar metals to the aluminum body.

- Anytime the factory paint is damaged, it is recommended that the paint be repaired with a suitable coating prior to installing aftermarket equipment (i.e. splash guards, bug shields, tool boxes, etc.)
- When installing fasteners into the mounting hole the fastener should not have contact or have an interference fit with the sheet metal
- For zinc coated steel bolts and screws, an aluminum washer should be used
- For further protection, an isolation layer should be used between the two dissimilar metals
- When clamping onto the truck, a polypropylene or urethane tape can be used as the isolating layer

Paint, Isolator, and Fastener Recommendations

We have tested many combinations of fasteners and coatings that are widely used in the aftermarket and have provided a list of approved products to help ensure durability, strength and quality.

** For small repair of factory paints around mounting hole. Follow manufacturer's directions for use.

Approved Anti-Corrosion Coatings**

- ✓ Motorcraft PM13-A
- ✓ NOX-Rust 7703-W
- ✓ Zinc Rich Primer

Recommended Acrylic Lacquer Touch-up Paints**

- ✓ Motorcraft
- ✓ Duplicolor
- ✓ Rustoleum

Approved Fasteners

- ✓ Aluminum Clamps
- ✓ Aluminum Pop Rivets
- ✓ Zinc coated steel fasteners used with an aluminum washer
- ✓ Plastic Scrivets
- ✓ Plastic Push Pins
- ✓ Aluminum Rivnuts

Isolator Recommendations

- ✓ Aluminum washer
- ✓ Urethane tape
- ✓ Polypropylene tape

Examples

In this section we illustrate some best practices to isolate steel from coming in contact with aluminum. Using the previously listed fasteners and coatings in addition to good isolation techniques will help ensure durability, strength and quality of your F150.

Note: The following illustrations are not vehicle specific and are intended for reference only.

Figure 1 shows a plastic accessory attached to the aluminum sheet metal and the fastener properly isolated from contact with the aluminum sheet metal.

Figure 2 shows a steel accessory and steel fastener properly isolated from contact with the aluminum sheet metal.

Note: both figures show the fastener using an aluminum washer and having an oversize hole providing an air gap to the aluminum sheet metal.

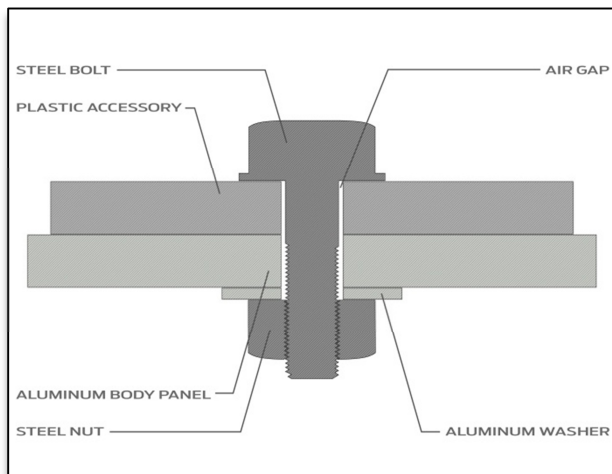


Figure 1

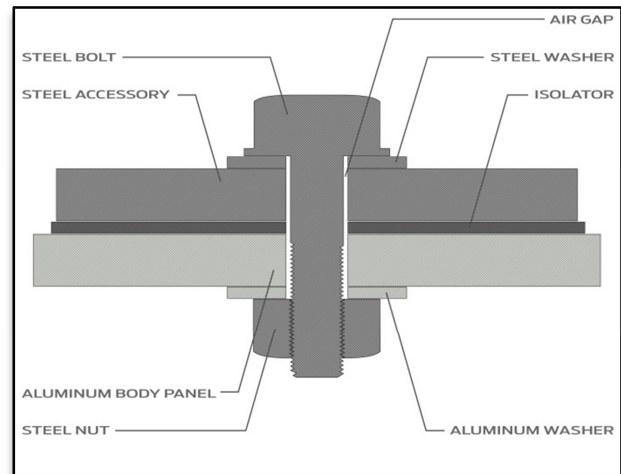


Figure 2

Important: Fasteners or coatings that should be avoided

The items listed below can accelerate galvanic corrosion in aluminum and should be avoided. If a steel fastener must be used it is necessary to properly isolate from contact with the aluminum.

- ✗ self-tapping screws
- ✗ steel pop rivets
- ✗ RTV silicone
- ✗ steel rivnut
- ✗ steel spring clips
- ✗ stainless steel fastener

If you have any questions, please contact the Ford Truck Body Builders Advisory Service as shown in the header of this bulletin.